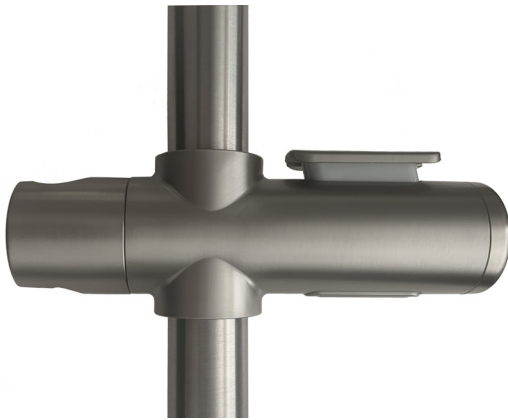


Model RBA4110-999-013



Materials & Features

Satin plated ABS finish. Suitable for 32mm diameter shower rail. Easily adjustable and suits most shower handsets.

Technical Detail

Finishes: Satin plated ABS

Available Models

- RBA4110-999-011 enda Shower Rail Handset Slider, 32mm | Chrome
- RBA4110-999-013 enda Shower Rail Handset Slider, 32mm | Satin
- RBA4110-999-014 enda Shower Rail Handset Slider, 32mm | Matte Black

Related Products

- RBA4110-999-008 Shower, Handset & Hose Kit | Chrome

Installation

Unit is designed to be retrofitted onto 32mm grab rails.

Important: Installation instructions and current rough-in details should be furnished with each fixture. Do not rough in without certified dimensions. Dimensions are subject to manufacturer's tolerance of +/-10mm.

