

## Model RBA1622-101

### Materials & Features

Manufactured from stainless steel with all exposed surfaces polished to a bright finish. ënda is a suite of attractive commercial grade accessories with radiused corners and edges to increase comfort and minimise catch.



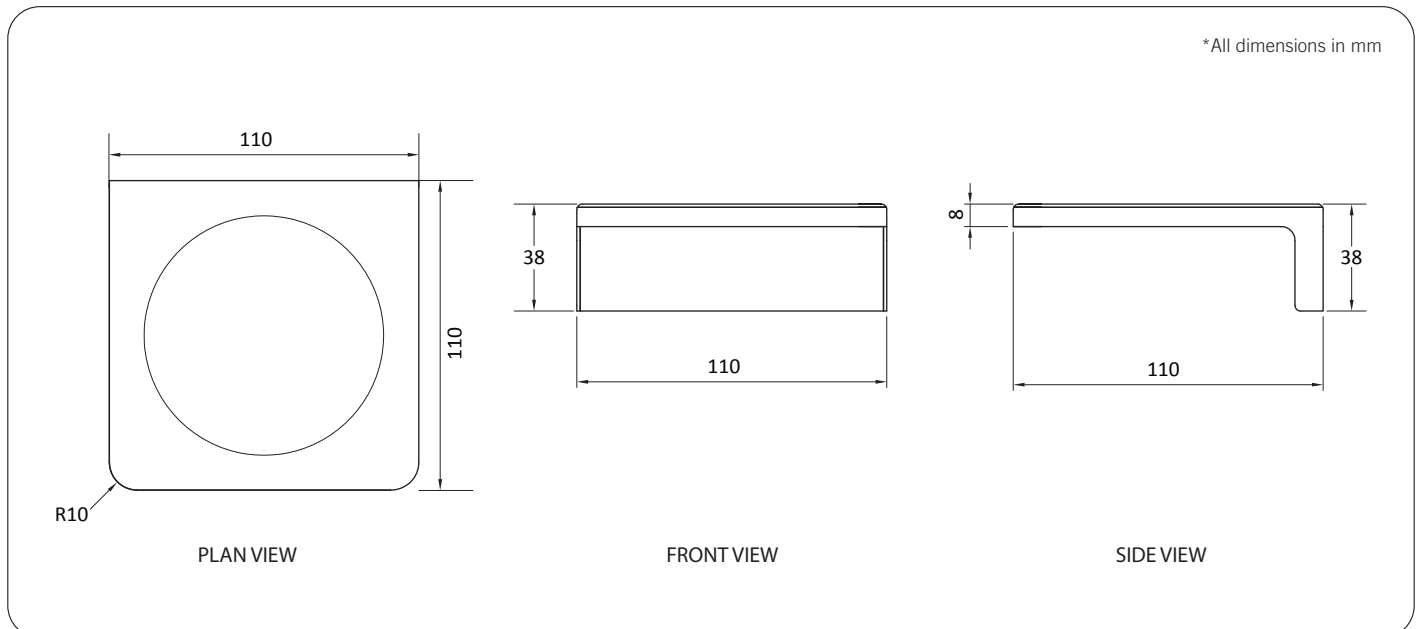
### Technical Detail

Material: #304 Stainless Steel  
 Finish: Polished  
 Bracket: Heavy Duty Brass Lug  
 Fixings: Included

**Available Model**  
**RBA1622-101**

ënda Soap Dish

**Important:** Installation instructions and current rough-in details should be furnished with each fixture. Do not rough in without certified dimensions. Dimensions are subject to manufacturer's tolerance of +/-10mm.



Global-Mark.com.au®  
 Sourced/Supplied under QMS

As improvements in the design and performance of RBA products are continuous, specifications may be subject to change without notice. The illustrations and descriptions herein are applicable to production as of the date of this Technical Data Sheet. Revised 04/21 © 2021 by RBA Group TD/Model RBA1622-101/0421



### ënda Robe Hook #1

20mm[W] x 65mm[H] x  
21mm[D]

**RBA1622-102**



### ënda Robe Hook #3

20mm[W] x 45mm[H] x  
35mm[D]

**RBA1622-104**



### ënda Toilet Roll Holder #1

140mm[W] x 30mm[H] x  
85mm[D]

**RBA1622-107**



### ënda Toilet Roll Holder #2

130mm[W] x 81mm[H] x  
74mm[D]

**RBA1622-105**



### ënda Soap Dish

110mm[W] x 38mm[H] x  
110mm[D]

**RBA1622-101**



### ënda Acrylic Shelf to AS1428.1-2009

395mm [W] x 29mm[H] x  
147mm[D]

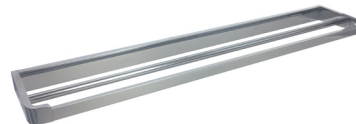
**RBA1622-106**



### ënda Single Towel Rail

600mm[W] x 30mm[H] x  
70mm[D]

**RBA1622-108**



### ënda Double Towel Rail

600mm[W] x 30mm[H] x  
105mm[D]

**RBA1622-109**